



**BESTOP**

# Fold & Tumble Rear Bench Seat Cover Installation Instructions

For: CJ5 '65-'83, CJ7 '76-'86, Wrangler '86-'95

Part Number: 29223

## Parts List

Seat Back Cover, Qty - 1  
Seat Bottom Cover, Qty - 1

**Warning:** *DO NOT remove the seats from the vehicle to install this product.*

**Seat Covers are not waterproof.**

## Warning:

This product is designed to enhance the appearance of the vehicle and to shield the occupants from ordinary weather conditions. Do not rely in any way on the components of this product to contain occupants within the vehicle, or to protect against injury or death in the event of an accident. This product will not protect the occupants from falling objects. Never operate vehicle in excess of manufacturer's specifications.

Wear seat belts at all times.

Read and follow, precisely, all installation instructions provided when installing this product. Failure to do so may result in a poor fit and could place occupants of the vehicle in a potentially dangerous situation.

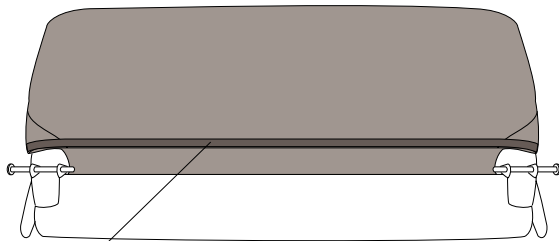
## Step One

Orient the Seat Back Cover with the quilting toward the front of the seat. Starting both sides at the same time, slip the opening in the cover over the seat back and pull the cover down to the seat bottom.

Pull Cover over back of seat

Tuck flap under seat back

View from Front



Tuck flap under fabric and fasten hook and loop strips

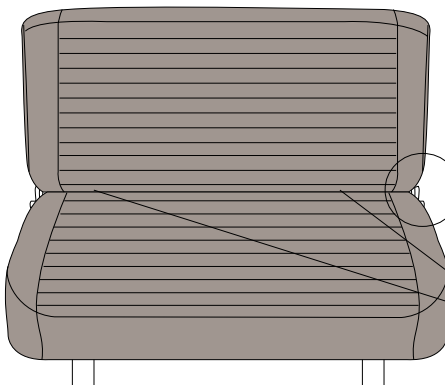
View from Rear

## Step Two

Tuck the fabric flap under the seat back (from front to back). Release the seat back and fold it forward. Pull the flap to the back of the seat and tuck the flap under the back fabric. Fasten the hook strip on the flap to the loop strip in the back of the cover.

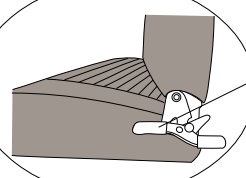
## Step Three

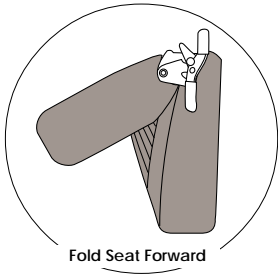
Orient the Seat Bottom Cover with the quilting toward the top and the two fabric tabs toward the rear. Unhook the cord and lay the fabric on the seat bottom. Slide the fabric tabs under the seat back. Make sure that the cut outs on the rear corners are under the seat latch handle and that the handle is clear to operate freely.



Tuck flaps under seat back

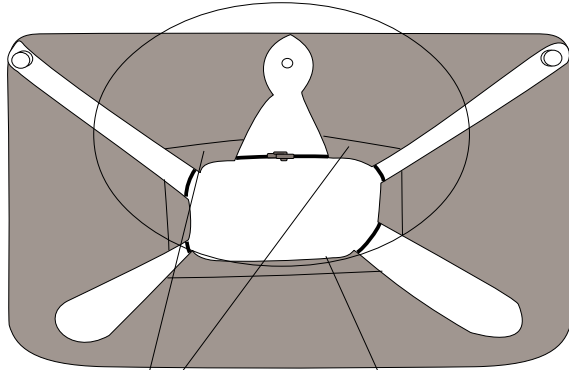
Make sure seat latch operates freely





## Step Four

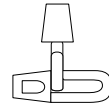
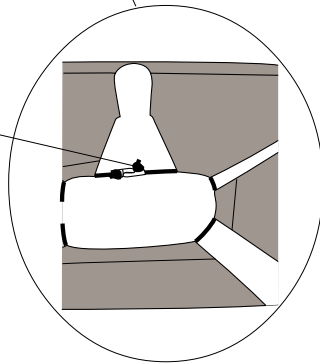
Release the seat back and fold it forward. Then release the seat bracket and tilt the whole seat forward to access the bottom of the seat. Thread the loose ends of the cord through the ends of the side and rear flaps and hook the ends of the cord together.



View of Bottom

Thread Cord through Flaps and Hook Together

Cord length may be adjusted by tying additional knots to pull fabric up tighter



### To Fasten Hooks

Slip the two hooks together at right angles to each other.

Turn one hook until they hook to each other.



To secure the hooks, pull them against each other until they click into position.

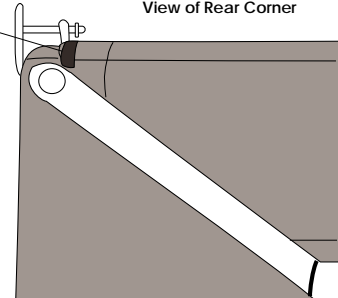
**To Release Hooks:** Turn one hook until it is at right angles to the other and pull apart.

Tuck fabric flap under and fasten hook and loop strip

View of Rear Corner

## Step Five

Tuck the corner tabs under the fabric and fasten the hook and loop strips to each other.



### LIMITED WARRANTY

We warrant our product to be free from defects in material and workmanship, for the terms specified below, provided there has been normal use and proper maintenance. This warranty applies to the original purchaser only. All remedies under this warranty are limited to the repair or replacement of any item or items found by the factory to be defective within the time period specified.

If you have a warranty claim, first you must call our factory at the number below for instructions. You must retain proof of purchase and submit a copy with any items returned for warranty work. Upon completion of warranty work, if any, we will return the repaired or replaced item or items to you freight prepaid. Damage to our products caused by accidents, fire, vandalism, negligence, misinstallation, misuse, Acts of God, or by defective parts not manufactured by us, is not covered under this warranty.

THE WARRANTY TIME PERIOD IS AS FOLLOWS: ALL "SOFT GOODS" MANUFACTURED BY OUR COMPANY (USING PRIMARILY VINYL, PLASTICS, AND/OR FOAM): ONE YEAR FROM DATE OF PURCHASE.

ANY IMPLIED WARRANTIES OF MERCHANTABILITY AND/OR FITNESS FOR A PARTICULAR PURPOSE CREATED HEREBY ARE LIMITED IN DURATION TO THE SAME DURATION AND SCOPE AS THE EXPRESS WRITTEN WARRANTY. OUR COMPANY SHALL NOT BE LIABLE FOR ANY INCIDENTAL OR CONSEQUENTIAL DAMAGE.

Some states do not allow limitations on how long an implied warranty lasts, or the exclusion or limitation of incidental or consequential damages, so the above limitations or exclusions may not apply to you.

This warranty gives you specific legal rights, and you may also have other rights which vary from state to state.

For further information or request for warranty work, please contact:

Bestop Inc.  
Customer Service  
(800)845-3567  
(303)465-1755

\*All or a portion of this product may be made in China.